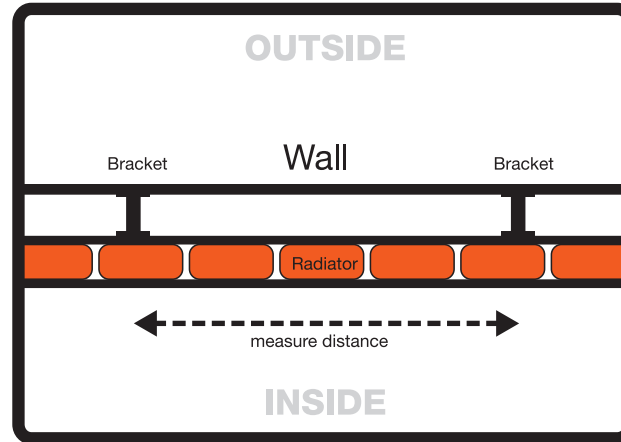


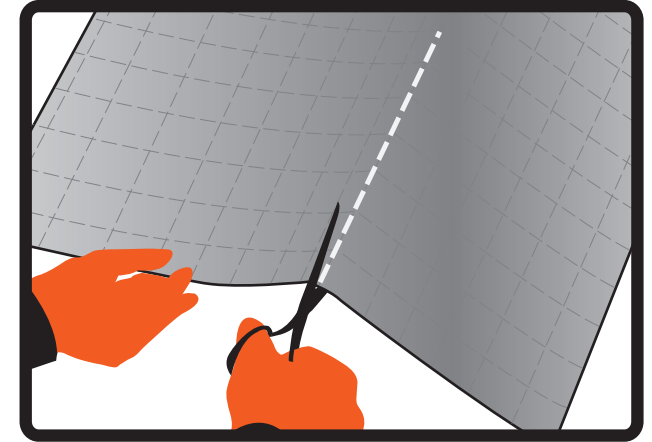
Installation for wall mounted radiators. Instructions should be treated as a guide only. For best energy savings, position Radflek on a radiator which is situated on the inside of an exterior wall. Hang the Radflek sheet by the clips on the wall brackets at the back of the radiator, with an equal gap between the wall, the Radflek sheet and the radiator. Position clips on the brackets. Roll further or trim bottom to size.



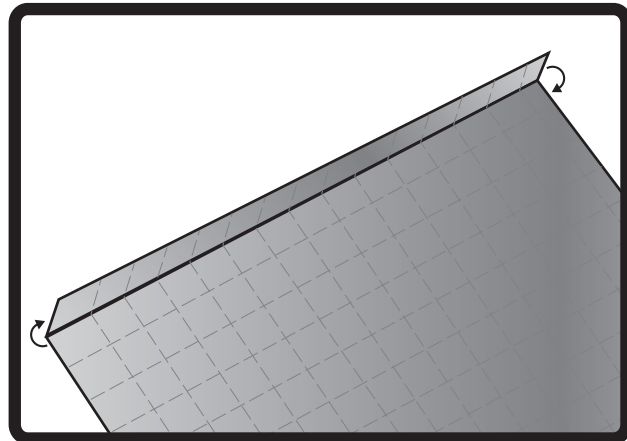
1. Flatten creases with thumb - does not need to be perfectly flat.



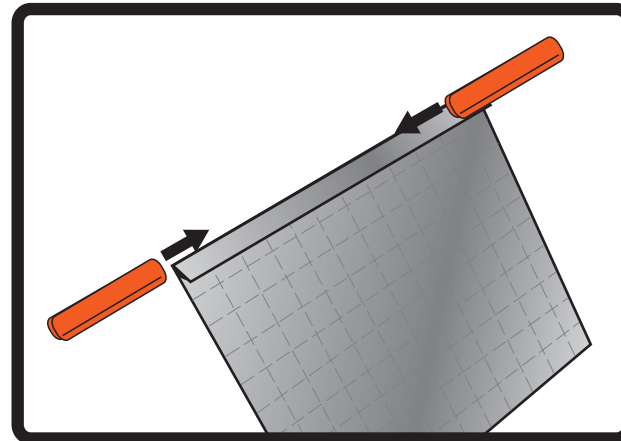
2. Measure distance between radiator wall brackets behind radiator.



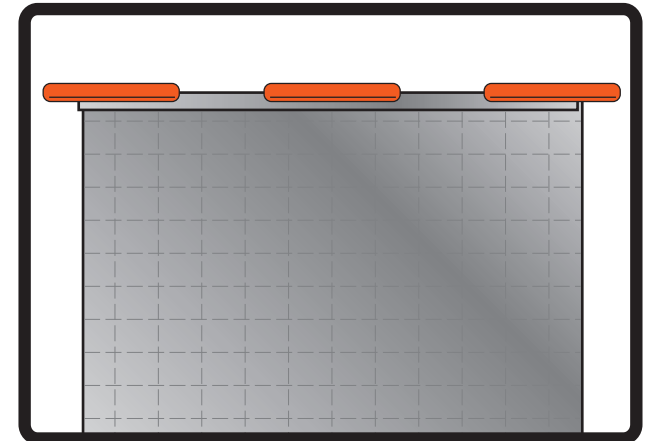
3. Cut Radflek sheet to width between wall brackets.



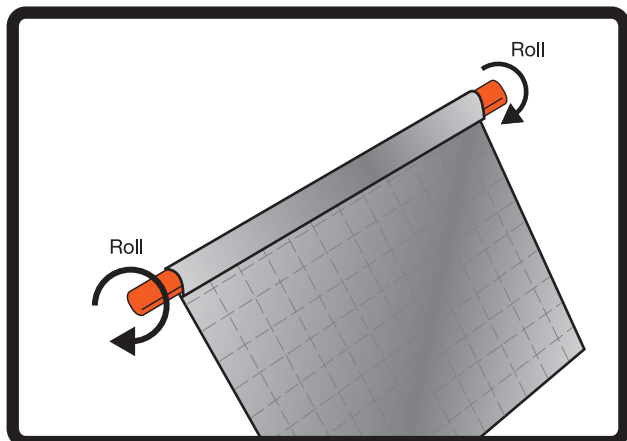
4. Make a 1cm fold along the top of the Radflek sheet.



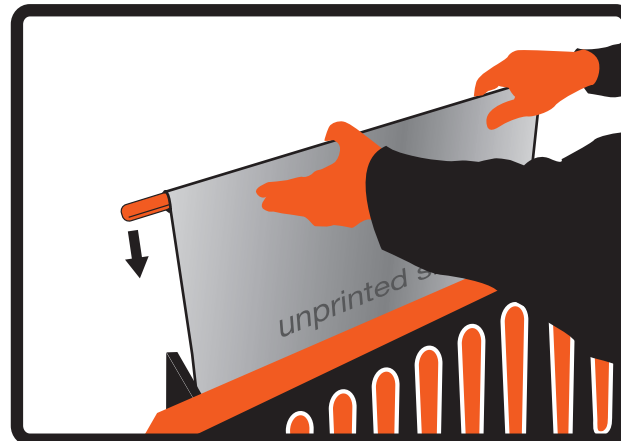
5. Slide on at least two clips over the fold.



6. More clips along the top will provide greater rigidity to sheet.



7. Roll top of sheet around clips at least once to secure.



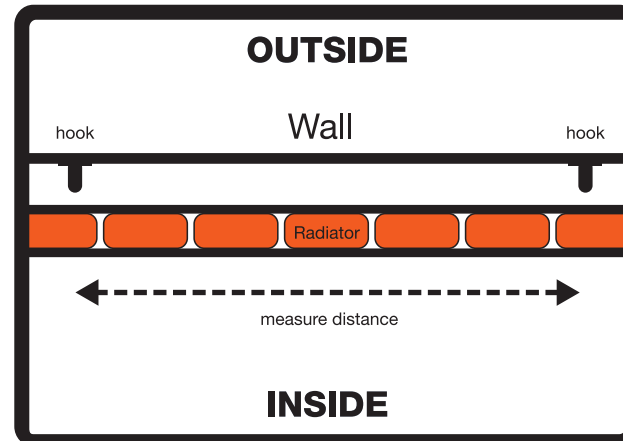
8. Position clips on wall brackets. If needed, roll more or trim bottom.



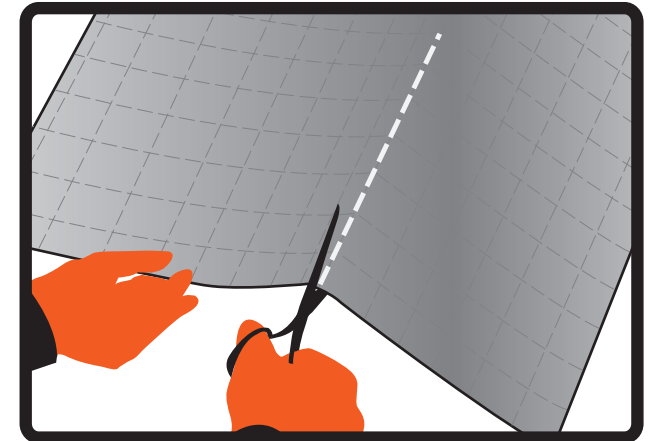
Installation for floor mounted radiators. Instructions should be treated as a guide only. For best energy savings, position Radflek on a radiator which is situated on the inside of an exterior wall. Hang the Radflek sheet on the self adhesive hooks attached to the wall behind the radiator, with an equal gap between the wall, the Radflek sheet and the radiator. Position clips on the wall hooks. Roll further or trim bottom to size.



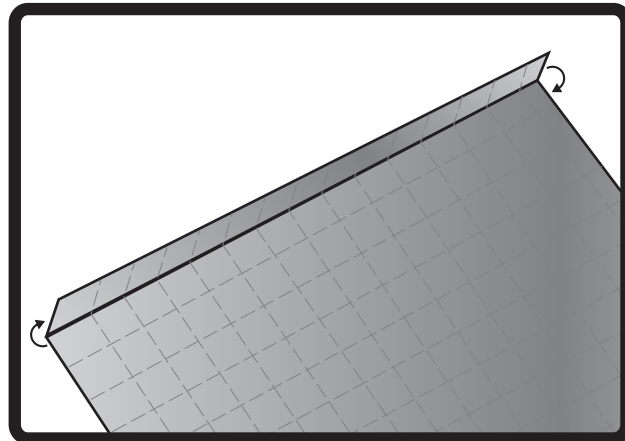
1. Flatten creases with thumb - does not need to be perfectly flat.



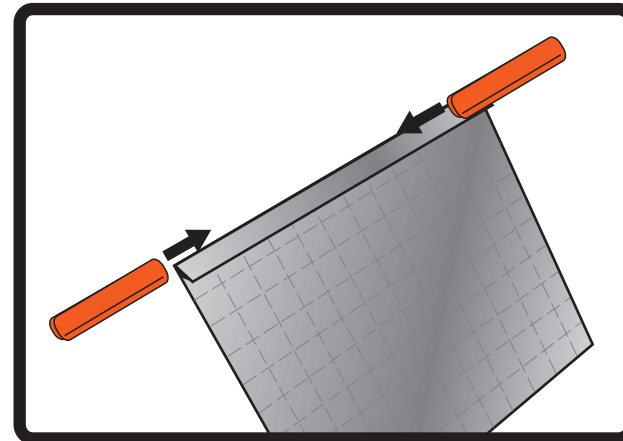
2. Attach the hooks to the wall behind the radiator close to the top.



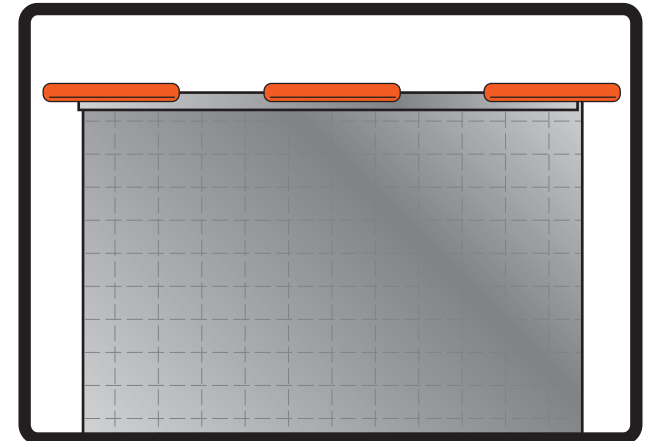
3. Cut Radflek sheet to width between hooks.



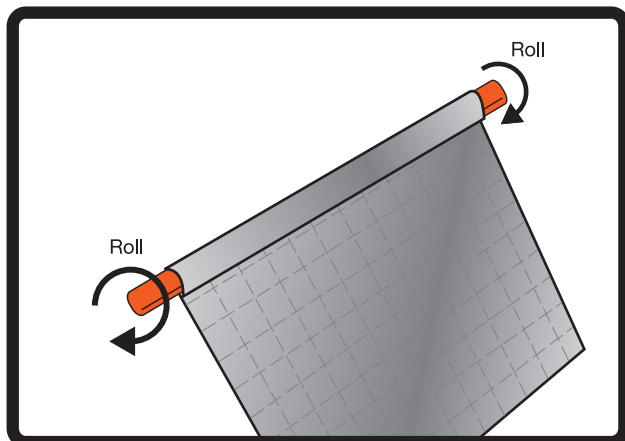
4. Make a 1cm fold along the top of the Radflek sheet.



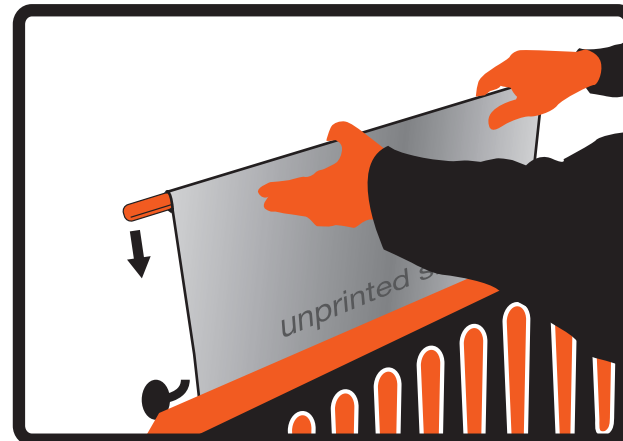
5. Slide on at least two clips over the fold.



6. More clips along the top will provide greater rigidity to sheet.



7. Roll top of sheet around clips at least once to secure.



8. Position clips on hooks. If needed, roll more or trim bottom.

